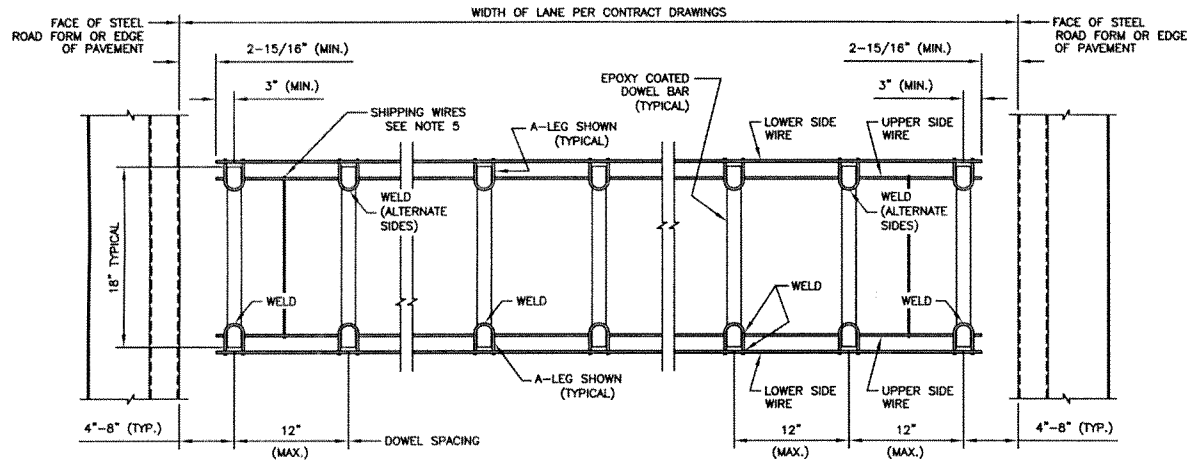
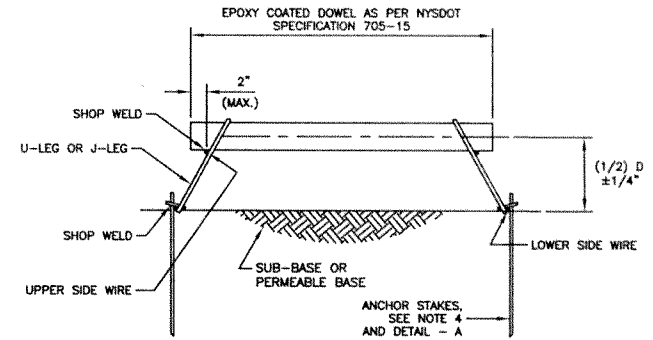


NOTES:

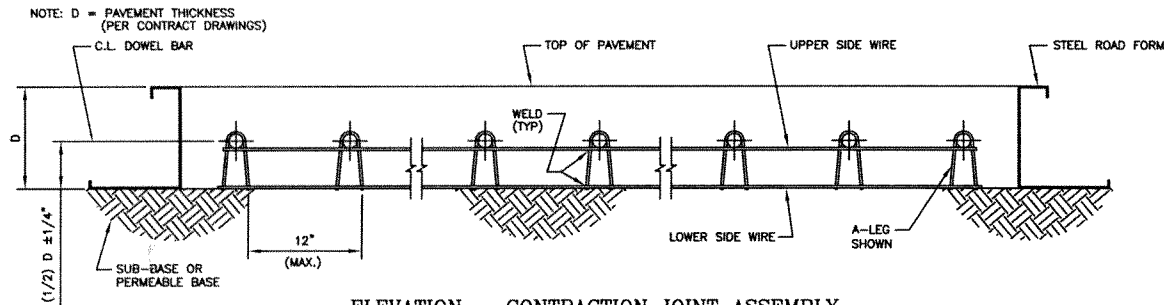
- 1) THIS STANDARD DEPICTS THE DIMENSIONS REQUIRED FOR UNIFORMITY AND COMPATIBILITY. IT DOES NOT INCLUDE ALL THE DETAILS REQUIRED FOR FABRICATION.
- 2) USE ASTM-A615 GRADE 60 STEEL DOWELS. DIAMETER IN ACCORDANCE WITH CONTRACT DRAWINGS.
- 3) DOWELS EPOXY COATED IN ACCORDANCE WITH STANDARD SPECIFICATION 705-15, 10-18 MILS. EPOXY DOWELS TO BE COATED WITH TECTYL 506.
- 4) USE 12" ANCHOR STAKE WITH PERMEABLE BASE, 8" ANCHOR STAKE WITHOUT PERMEABLE BASE. USE 1 ANCHOR STAKE PER 2'-0" OF ASSEMBLY LENGTH, ALTERNATE SIDES.
- 5) AFTER EACH LOAD TRANSFER ASSEMBLY IS SECURED IN PLACE, CUT SHIPPING WIRES IN ACCORDANCE WITH NYS DOT SECTION 502.
- 6) PROVIDE DOWELS BARS PARALLEL TO THE CENTERLINE AND TO THE PAVEMENT SURFACE. MAKE TOLERANCES OF THIS PLACEMENT WITHIN 1/8" PER DOWEL BAR.
- 7) WIRE TOLERANCES PER ASTM A-B2 IS ± 0.005 IN.
- 8) WHAT EVER THE LANE WIDTH, THE DISTANCE FROM THE "EDGE OF LANE", TO THE "END DOWEL CENTER LINE", MUST BE A MINIMUM OF 4"-8". THE NUMBER OF DOWELS MUST MEET THE DESIGN REQUIREMENTS, AND THE DOWEL SPACING MUST BE ADJUSTED ACCORDINGLY (4" MIN, 12" MAX.)



PLAN - CONTRACTION JOINT ASSEMBLY

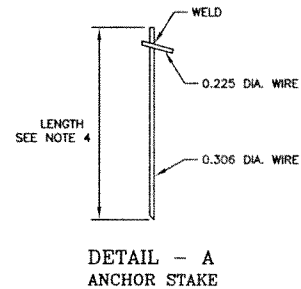
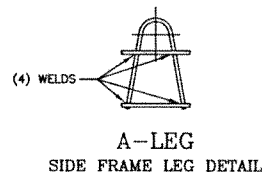
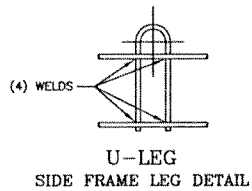
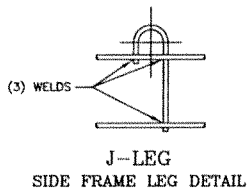


END VIEW - CONTRACTION JOINT ASSEMBLY



ELEVATION - CONTRACTION JOINT ASSEMBLY

TABLE -- WIRE SIZES		
UPPER AND LOWER SIDE FRAME WIRES	"J" LEG, "U" LEG OR A-LEG SUPPORT WIRES	SHIPPING WIRES
0.306 # MIN.	0.306 # MIN.	0.225 # MIN.



MIKE BROOME - WWW.CMC.COM
P.O. BOX 430 LINVILLE, NC 28646
OFFICE (828) 896-4957 - FAX (828) 896-4967 - MOBILE (828) 718-5380

ITEM	TRANSVERSE CONTRACTION JOINT FOR CONCRETE PAVEMENT	
PROJECT	NEW YORK DOT	
LOCATION	ALL NEW YORK COUNTIES	
MANUFACTURER	CMC AMERICAS	
SCALE	NONE	DRAWING NO.
DRAWN	TEL	CMC-10-040
DATE	5-24-10	SHEET 1 OF 1